

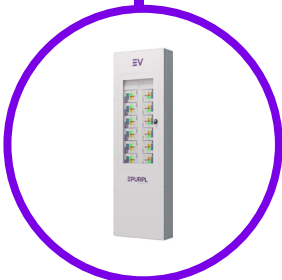
# ATOM EV - E58 (80A) Charging System

## Product Data & Specifications



### ATOM SWITCH

The Atom Switch is dual UL-listed as a circuit protection device and electric vehicle supply equipment. It offers ground fault protection across the entire circuit as opposed to only the EV cable.



### ATOM SMART POWER DISTRIBUTION ENCLOSURE

The Smart Power Distribution Enclosure can hold up to 6 EVSE units in a centralized and secure location away from parking spots. This eliminates the impact of potential hazards. It leverages remote diagnostics and allows for exact knowledge of operating conditions.



### ATOM LTE

Atom LTE enables control and communications of the EVSE system via Atom Cloud. No internet connection is required to operate the Atom EVSE enclosure, allowing for continued even if there is loss of internet or cloud connection.

# ATOM E58 Charging System Overview

## Dispensers



**Atom E58 Wallbox (80A)**



**Atom E58 Pedestal (80A)**



**Atom E58 Auto-Retractable  
Cable Management  
Pedestal (80A)**

## EVSE



**Atom E50 Series ASPD Enclosure  
(Atom Smart Power Distribution Enclosure)**



**E58 Atom Switch (80A)**

## Communications



**Atom E50 Series LTE Cabinet**

Note: Atom EV products work within a system and requires a dispenser, enclosure, switch, and LTE cabinet to operate.

# ATOM E58 (80A) Auto-Retractable Cable Management Pedestal

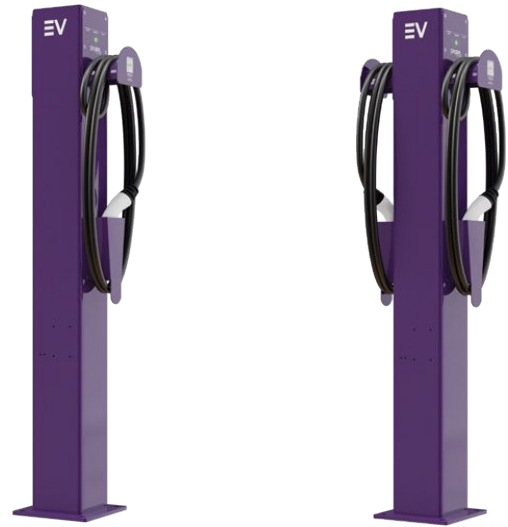


Product Catalog Number	AEV-80CMPED-L/R	AEV-80CMPED-D
Cable Rating <sup>1</sup>	80A	
Charge Couplers	1	2
Size (inches)	6w x 6D x 84h (with 9in. square base)	
Voltage	208VAC/240VAC	
Max Power Output	16.6kW @ 208V 19.5kW @ 240V	
Field Wiring - Power Field Wiring - Ground	#10 AWG-1, Cu, 90°C Rated #10 AWG-6, Cu, 90°C Rated	
Charge Connector Type	SAE J1772 Type 1	
Cable Length	18 ft or 25 ft	
Enclosure Rating	NEMA 3R	
Ambient Operating Temperature <sup>2</sup>	-30°C to +50°C (-22°F to +122°F)	
Standards	UL 2594, UL 2251, NEC Article 625, ADA Compliant	
Cable Management System	Self-Retracting Spring-Motor	

1 Maximum rating of equipment. Output power may be changed with energy management system (EMS).

2 Operating temperature is -30°C to +40°C without derating. Temperature derating applies above +40°C.

# ATOM E58 (80A) Pedestal



Product Catalog Number	AEV-80PED-L/R	AEV-80PED-D
Cable Rating <sup>1</sup>	48A	
Charge Couplers	1	2
Size (inches)	6w x 52h (with 9in. square base)	
Voltage	208VAC/240VAC	
Max Power Output	16.6kW @ 208V 19.5kW @ 240V	
Field Wiring - Power Field Wiring - Ground	#10 AWG-1, Cu, 90°C Rated #10 AWG-6, Cu, 90°C Rated	
Charge Connector Type	SAE J1772 Type 1	
Cable Length	18 ft or 25 ft	
Enclosure Rating	NEMA 3R	
Ambient Operating Temperature <sup>2</sup>	-30°C to +50°C (-22°F to +122°F)	
Standards	UL 2594, UL 2251, NEC Article 625, ADA Compliant	

1 Maximum rating of equipment. Output power may be changed with energy management system (EMS).

2 Operating temperature is -30°C to +40°C without derating. Temperature derating applies above +40°C.

# ATOM E58 (80A) Wall Boxes



Product Catalog Number	AEV-80WB-S	AEV-80WB-D
Cable Rating <sup>1</sup>	48A	
Charge Couplers	1	2
Size (inches)	6W x 4D x 8H	
Voltage	208VAC/240VAC	
Max Power Output	16.6kW @ 208V 19.5kW @ 240V	
Field Wiring - Power Field Wiring - Ground	#10 AWG-1, Cu, 90°C Rated #10 AWG-6, Cu, 90°C Rated	
Charge Connector Type	SAE J1772 Type 1	
Cable Length	18 ft or 25 ft	
Enclosure Rating	NEMA 3R	
Ambient Operating Temperature <sup>2</sup>	-30°C to +50°C (-22°F to +122°F)	
Standards	UL 2594, UL 2251, NEC Article 625, ADA Compliant	

1 Maximum rating of equipment. Output power may be changed with energy management system (EMS).

2 Operating temperature is -30°C to +40°C without derating. Temperature derating applies above +40°C.

# ATOM E58 (80A) SWITCH



Product Catalog Number	AS2P100-EVSE
Long Time Trip Setting Range	15A-60A
Input Voltage (VAC)	208 - 240
Input Frequency	60Hz
Interrupting Rating	200kA
Peak Let-Through (current limiting)	< 1.5kA
Incident Energy <sup>1</sup>	< 0.02 cal/cm <sup>2</sup>
I <sup>2</sup> t	<150.0A <sup>2</sup> s
Ambient Operating Temperature <sup>2</sup>	-30°C to +50°C (-22°F to +122°F)
Humidity	0 to 95%, non-condensing
Storage Temperature	-40°C to +85°C (-40°F to +185°F)
Load Side Connection	#10 AWG-1 AWG, Cu, 90°C Rated
Ground Fault Protection	20mA CCID with auto retry
Standards	UL 489/489i, UL 2594, UL 2231-1/2, NEC Article 625
Energy Management	Local Integration with Static & Dynamic Load Management
Metering Accuracy	Voltage +/-3V, Current +/-1A

1 Check with factory for IEEE 1584 assumptions

2 Operating temperature is -30°C to +40°C without derating. Temperature derating applies above +40°C.

# ATOM E50 SERIES SMART POWER DISTRIBUTION ENCLOSURE



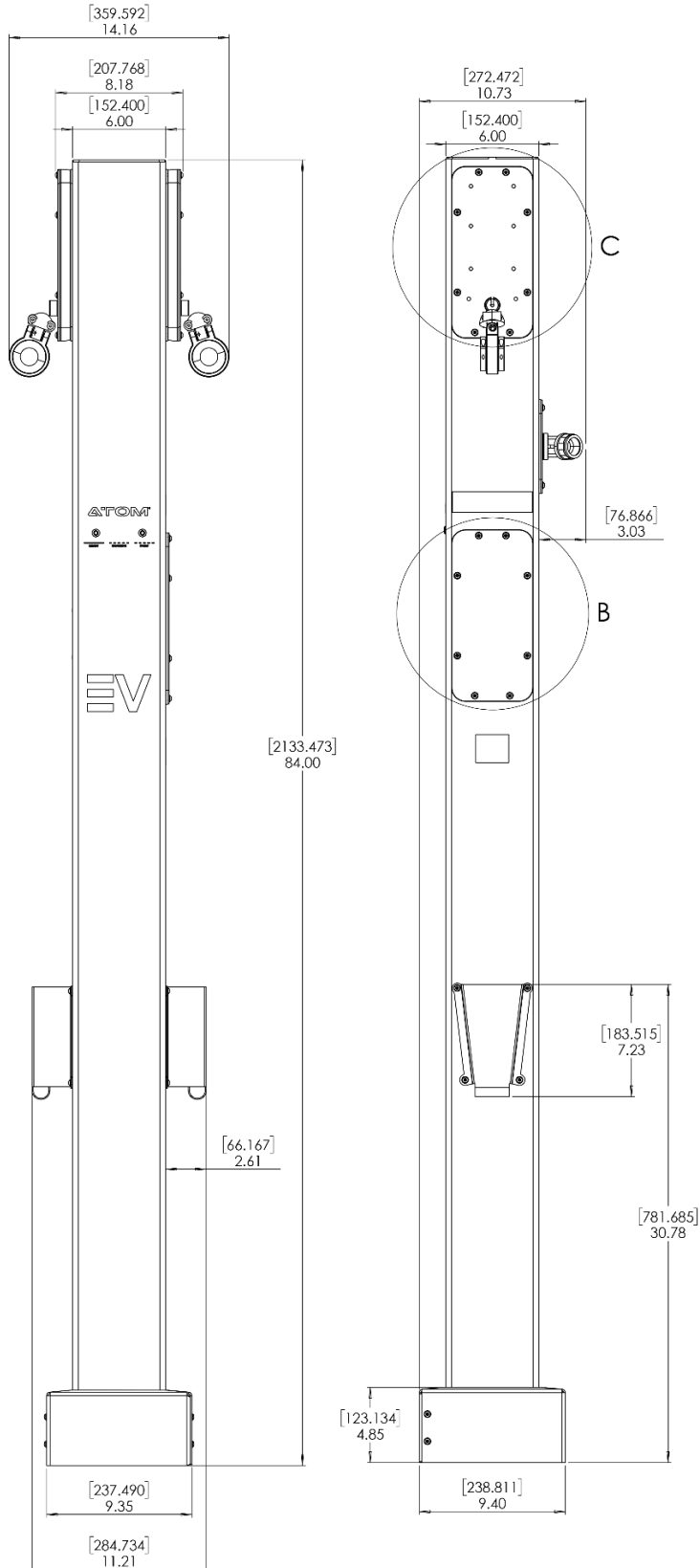
<b>Product Catalog Number</b>	<b>AP3P400-EVSE</b>
<b>Enclosure Dimensions (inches)</b>	20w x 10d x 64h (N1) , 20w x 13d x 68h (N3R)
<b>Max Current (A) Bus Rating</b>	320
<b>Voltage (VAC)</b>	208 - 240
<b>Main Lug Size</b>	#6AWG – #300KCMIL CU/AL (2 per phase)
<b>Phase/Wire</b>	3/3
<b>Maximum EVSEs</b>	6
<b>NEMA Rating</b>	3R (Indoor/Outdoor)
<b>Interrupting Rating</b>	200kA
<b>Standards</b>	UL 2594, UL 2231-1/2, NEC Article 625 Energy Star
<b>Integrations</b>	Ocpp 1.6
<b>Connectivity</b>	Ethernet, LTE
<b>EMC Compliance</b>	FCC Part 15 Class A
<b>Ambient Operating Temperature<sup>1</sup></b>	-30°C to +50°C (-22°F to +122°F)

<sup>1</sup> Operating temperature is -30°C to +40°C without derating. Temperature derating applies above +40°C.

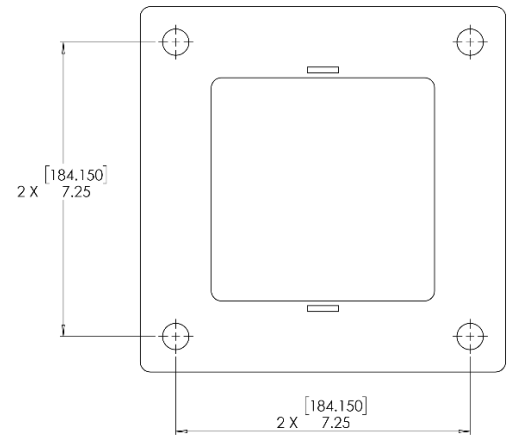
# PRODUCT DIMENSIONS

## Atom E58 Auto-Retractable Cable Management Pedestal

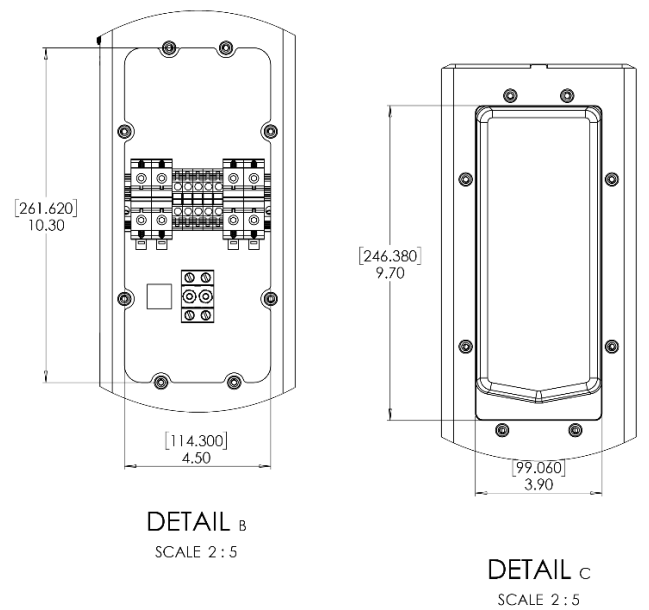
### Pedestal Detail (in)



### Foot Plate Detail



### Gland Plate Details

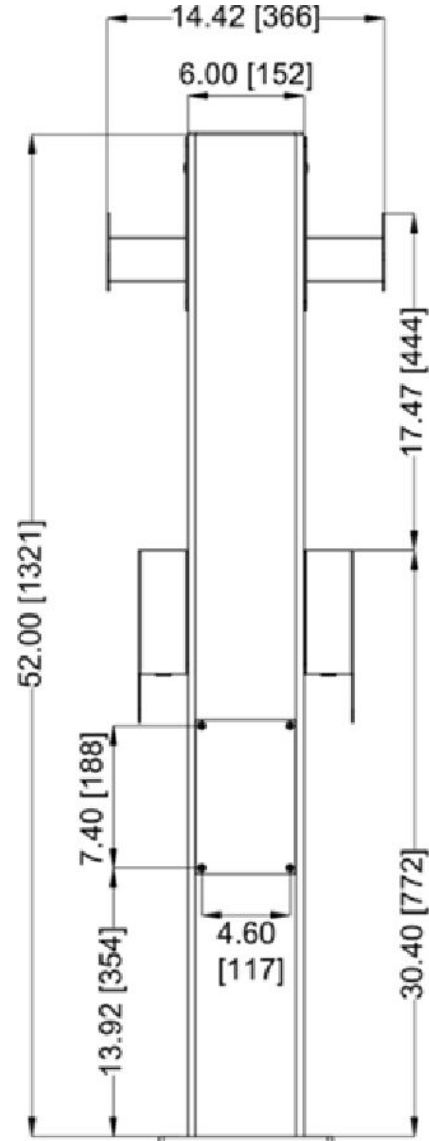
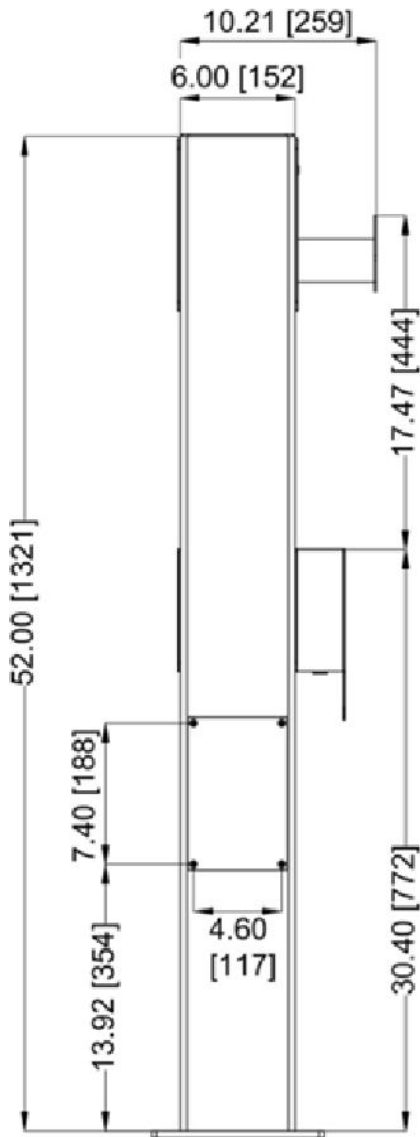




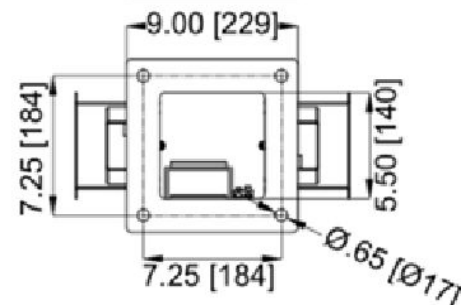
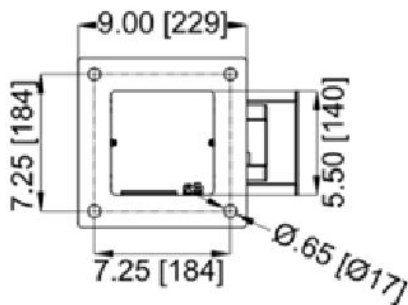
# PRODUCT DIMENSIONS

## Atom E58 Pedestals

### Pedestal Detail (in)



### Foot Plate Detail (in)

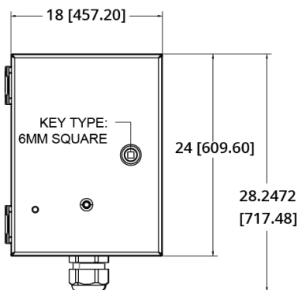


# PRODUCT DIMENSIONS

## Atom E58 Wallbox

### Wallbox (Single Cable) Detail (in)

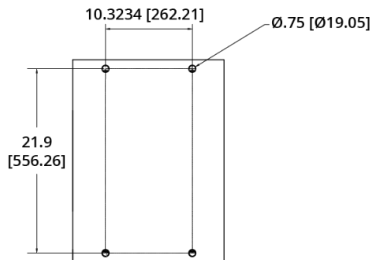
**Front View**



**Top View**

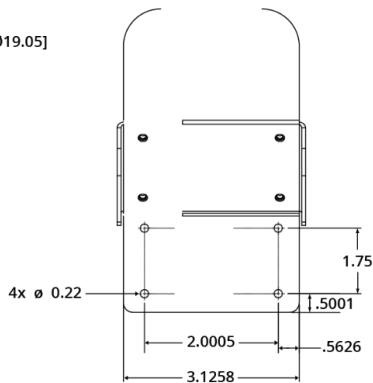


**Mounting Detail**

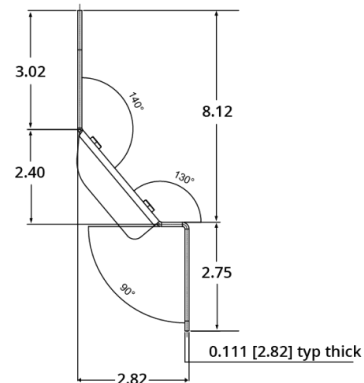
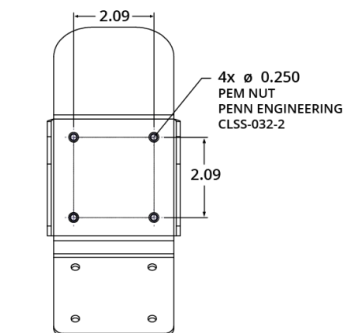


### Cordset Hanger Mounting Detail (in)

**Front View**



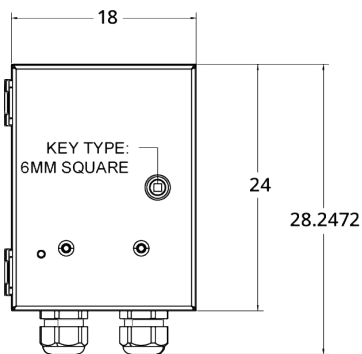
**Back View**



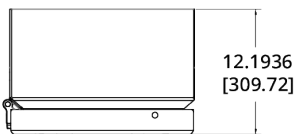
**Right Side View**

### Wallbox (Dual Cable) Detail (in)

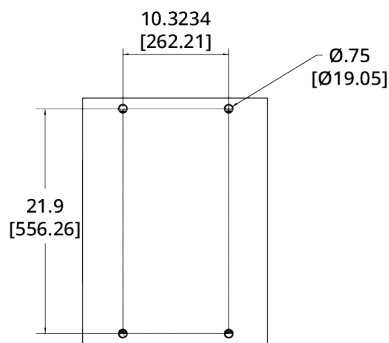
**Front View**



**Top View**



**Mounting Detail**

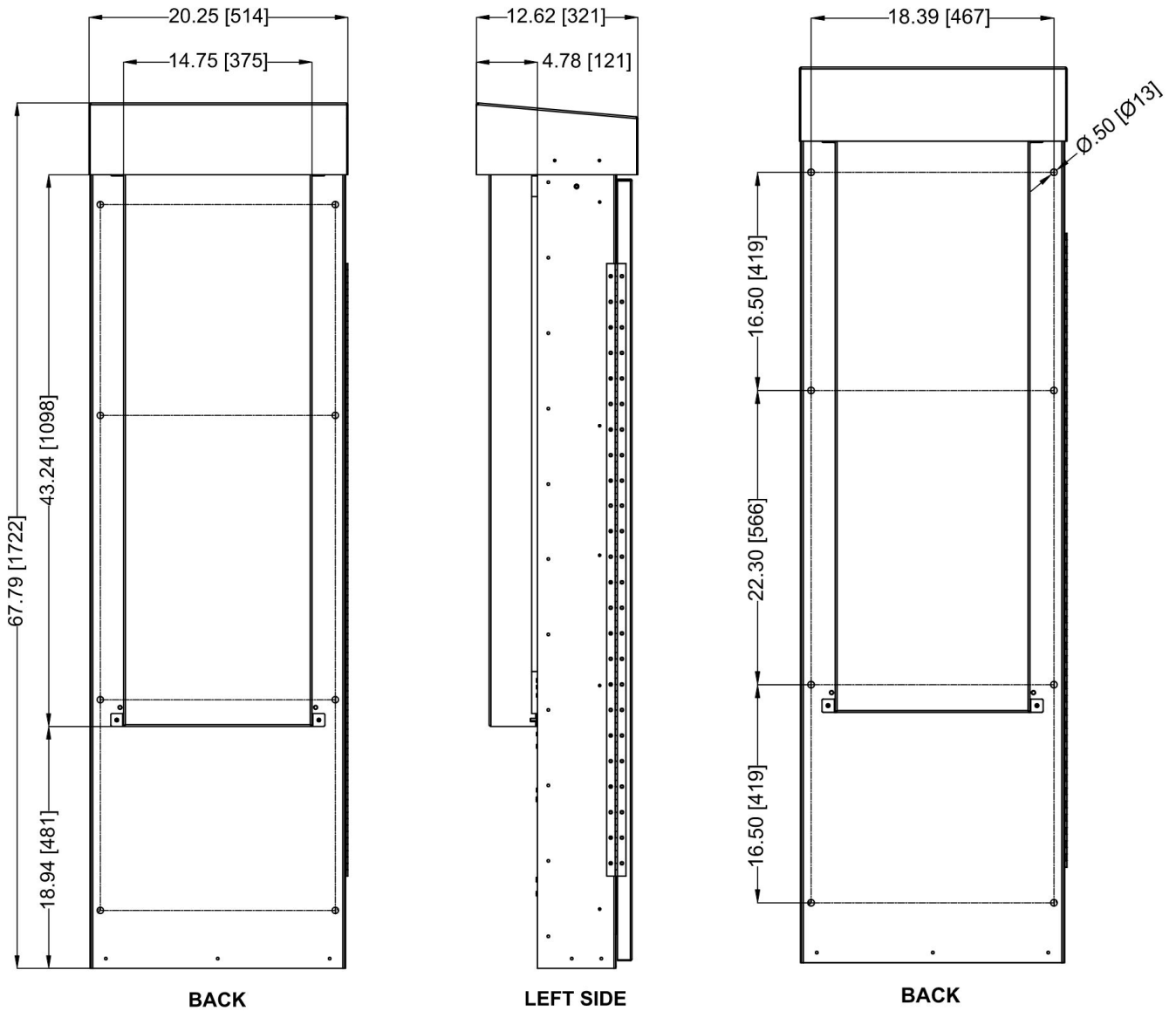


# PRODUCT DIMENSIONS

## Atom E50 series enclosure (NEMA 3R)

### Power Cabinet Detail

(in [mm])



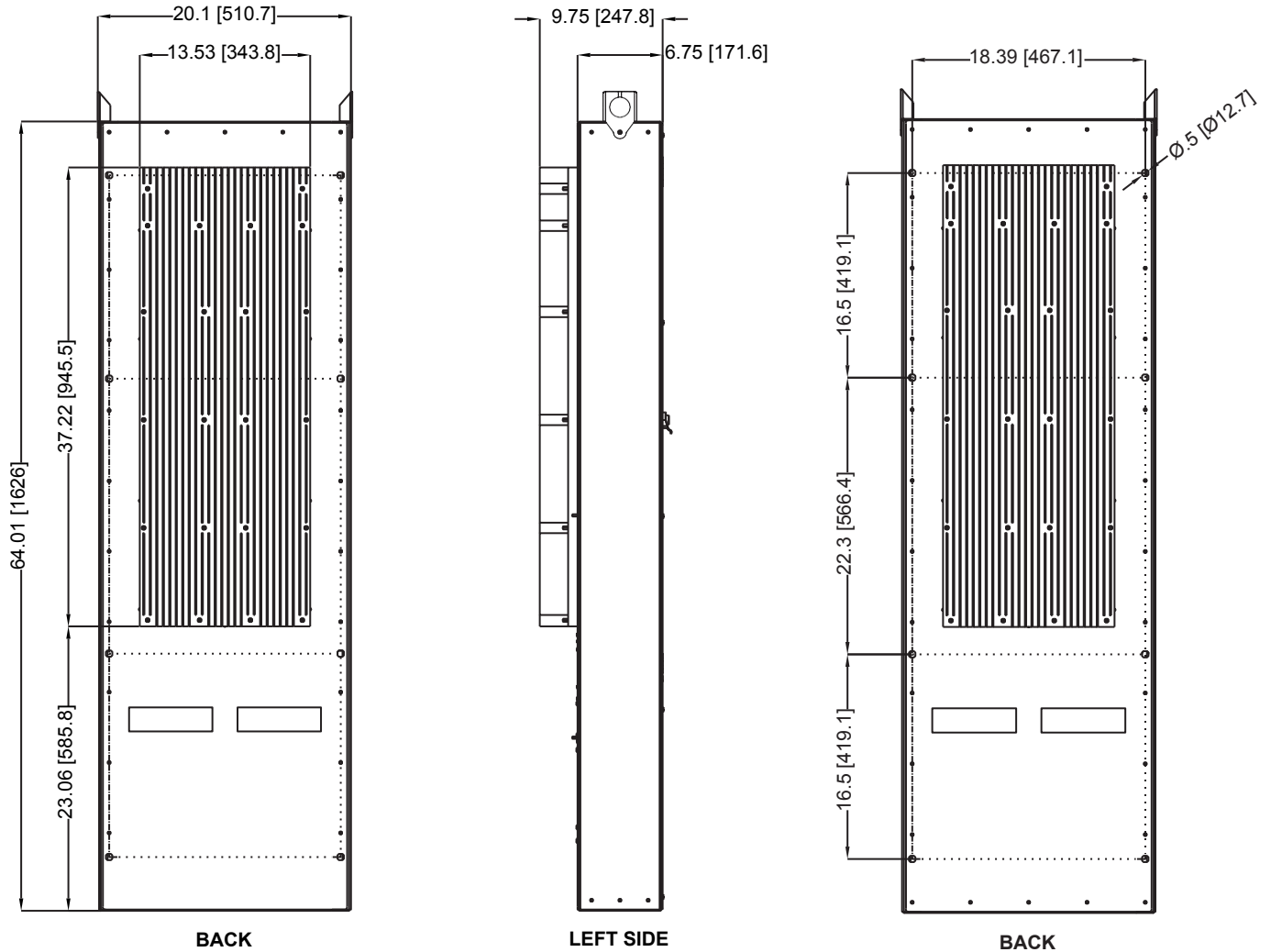
©2023 All Rights Reserved. Atom EV is a trademark of ATOM POWER® \*Details may change. This document is confidential.

# PRODUCT DIMENSIONS

## Atom E50 series enclosure (NEMA 1)

### Power Cabinet Detail

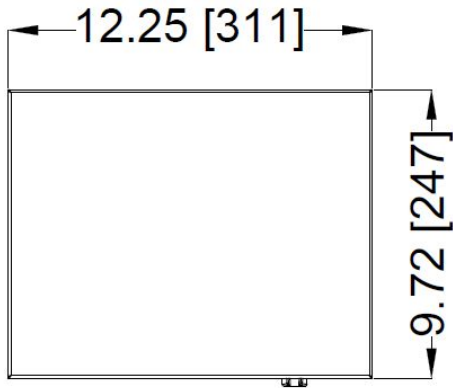
(in [mm])



©2023 All Rights Reserved. Atom EV is a trademark of ATOM POWER® \*Details may change. This document is confidential.

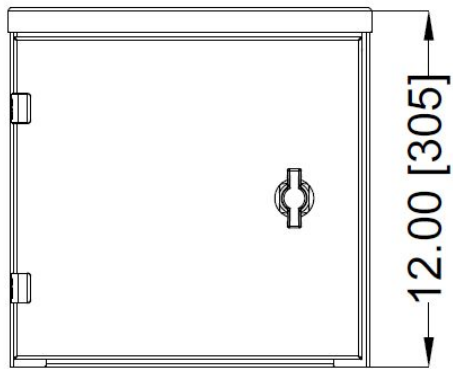
# PRODUCT DIMENSIONS

## Atom EV LTE Cabinet



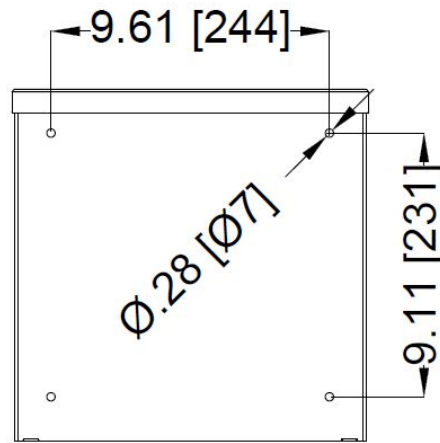
**TOP**

2 MOUNTING  
LTE:1 SCALE: NONE



**FRONT**

1 DIMENSIONS  
LTE:1 SCALE: NONE



**BACK**

©2022 All Rights Reserved. Atom EV is a trademark of ATOM POWER® \*Details may change. This document is confidential.

# Contact Us

## Atom Power, Inc.

13245 Reese Blvd. W.,  
Suite 130  
Huntersville, NC 28078

844.704.2866

info@atompower.com



[atompower.com](https://atompower.com)

Scan the QR code to visit the Atom Power website and see our full range of products

We reserve the right to make technical changes or modify the contents of this document without prior notification. Atom Power does not accept any responsibility whatsoever for potential errors or possible lack of information in this document. We reserve all rights in this document and in the subject matter and illustrations contained therein. Any reproduction, disclosure to third parties or utilization of its contents – in whole or in part – is forbidden without prior written consent of Atom Power.

Follow us on social media to get the latest product and support information.

